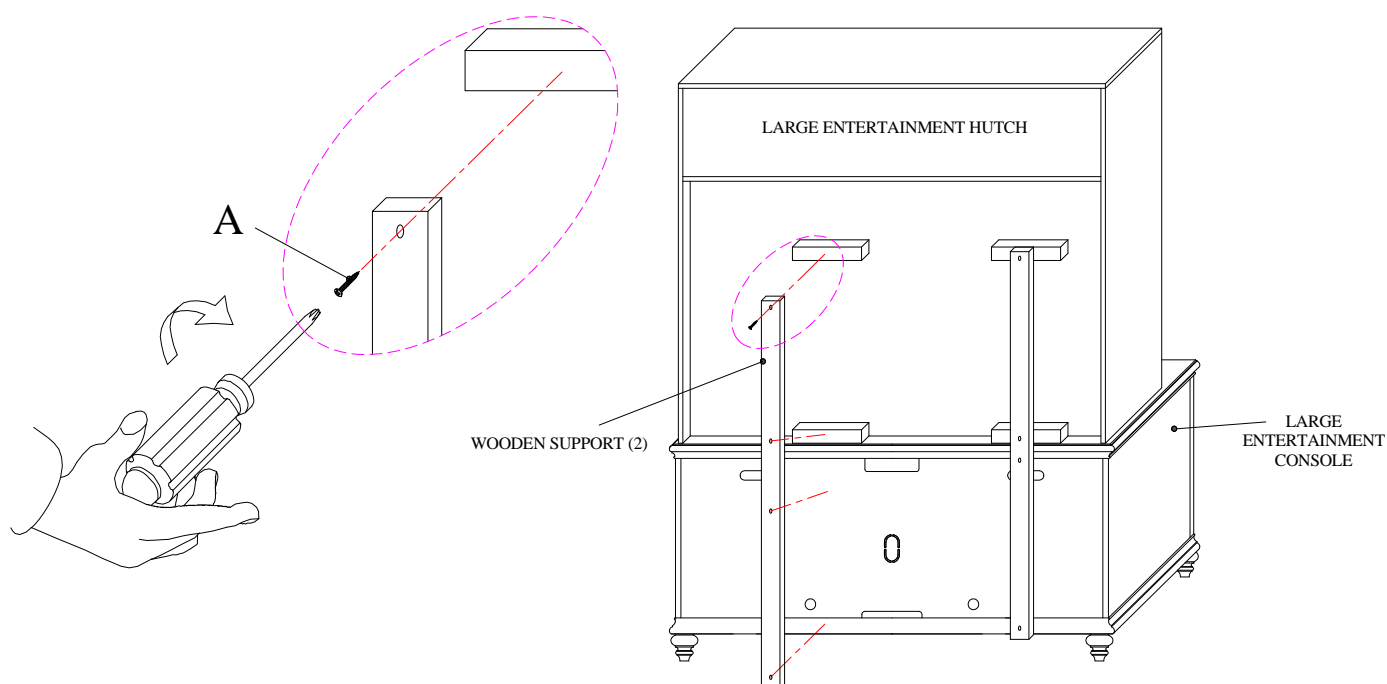



LEXINGTON®

HOME BRANDS

ASSEMBLY INSTRUCTION

Pelican Cay 593-918 Entertainment Hutch & 593-908 Television Console



PART	HARDWARE LIST	QTY
A	 1 1/2" SCREW	8 PCS

1. Place hutch on top of console so that back of cases are flush and hutch is centered along back side of console.
2. Position wooden support vertically along back of both cases so that holes in support align with rails across back of hutch, as shown above.
3. Use a Phillips head screwdriver to attach wooden support to hutch and console with (4) screws (A).
4. Repeat steps 2 & 3 for other wooden support.
5. Fully tighten screws.