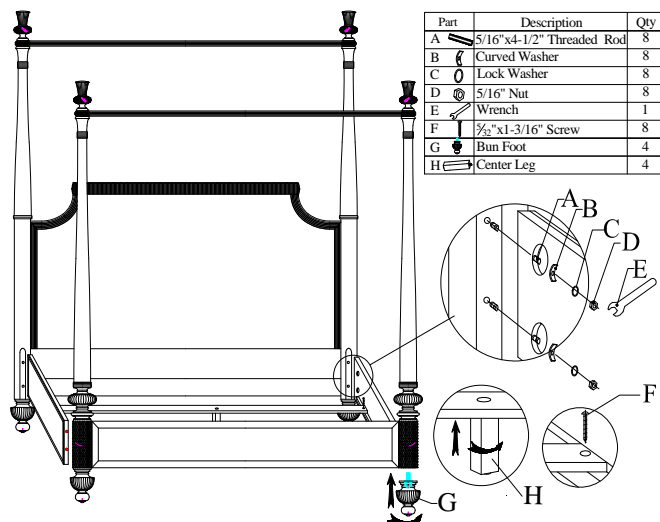


# LEXINGTON

## HOME BRANDS

### ASSEMBLY INSTRUCTIONS

#### 537-173C/174C/175C Poster Bed with Canopy and Low Post Option



#### HOW TO ATTACH SIDE RAILS TO HEADBOARD/FOOTBOARD:

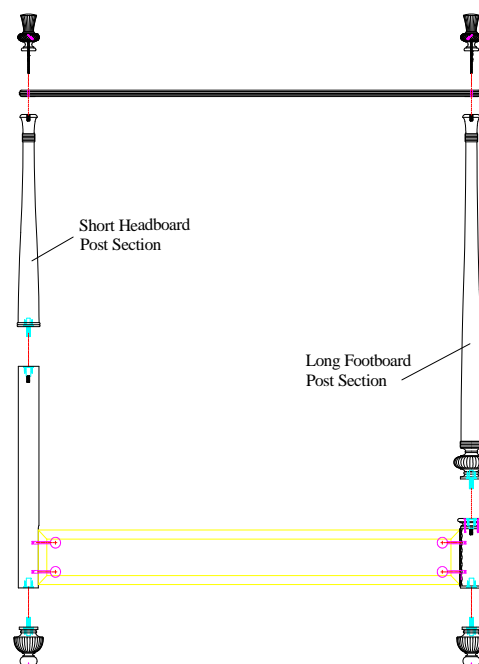
\* All needed hardware is located in a hardware bag which should be taped to inside of side rail.

1. Insert bolted ends of Feet (G) into bottom corners of headboard and footboard. Twist each foot clockwise until tight.
1. Insert Threaded Rod (A) into metal dowel thru open hole. Twist clockwise until tight.
2. With both threaded rods in place on one post, and side rail positioned with T-slots to inside, slide side rail into position over threaded rods.
3. Add Curved Washer (B) and Lock Washer (C) to threaded rod with wings on curved washer facing away from headboard/footboard.
4. Add Nut (D) with barrel end towards washers.
5. Tighten nut with Wrench (E) until tight. Repeat process for other three corners.

#### HOW TO ATTACH SLATS TO SIDE RAILS:

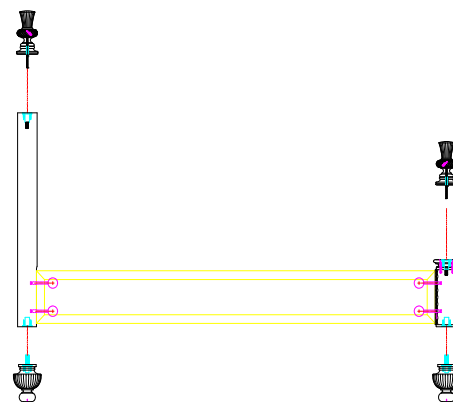
1. Insert bolted end of Center Leg (H) into bottom side of slat. Rotate clockwise until tight.
2. Adjust bottom leveler so that center leg and leveler sit 1/2" above floor.
3. Place one slat 3" to 5" inward from each end of wood cleats. Place two center slats between two end slats so that there is an equal amount of space between all four slats.
4. Secure slats with wood screws (F) provided. Note that top side of slat has larger hole.

For additional consumer assistance please contact your Lexington dealer or call our Consumer Services Department at 1-336-474-5300, Monday-Friday, 8-5 Eastern



#### HOW TO ATTACH CANOPY TO BED:

1. Attach feet, side rails, and slats as discussed in instructions written to the left on this sheet.
2. Insert bolted end of short headboard post section into bottom headboard post. Twist post section clockwise until tight. Repeat for other short headboard post section.
3. Insert bolted end of long footboard post section into bottom footboard post. Twist post section clockwise until tight. Repeat for other long footboard post section.
4. Place one canopy side rail on top of headboard post and respective footboard post.
5. *Steps 5 and 6 require three people.* Insert one canopy front rail in notch on canopy side rail at headboard. Have one person hold up other end of canopy front rail on other end of headboard. Insert other canopy front rail in notch on canopy side rail at footboard. Have another person hold up other end of this canopy front rail on other end of footboard.
6. Place other canopy side rail on top of other headboard post and respective footboard post and simultaneously insert front canopy rails into notches on other canopy side rail.
7. Insert bolted end of 6.75" high-post finial through hole in canopy side rail and into post. Twist finial clockwise until tight. Repeat for other (3) finials.



#### HOW TO SET-UP BED WITH LOW POST OPTION:

1. Attach feet, side rails, and slats as discussed in instructions written to the left on this sheet.
2. Insert bolted end of 8.25" low-post finial into post. Twist finial clockwise until tight. Repeat for other finials.