

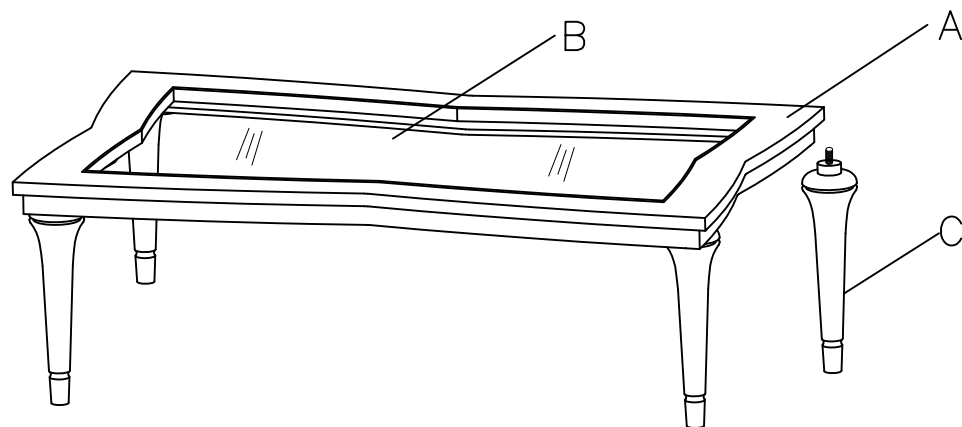
Index

Michael Amini® &

JANE SEYMOUR™

A DESIGN COLLABORATION

**Melrose Plaza™ Cocktail Table "Dove"
9019201-118 ASSEMBLY INSTRUCTION**



No.	Description	Q'ty
A	Wood Top	1 pc
B	Inserted Glass	1 pcs
C	Leg	4 pcs

NOTE: Inspect all packing material for small parts, which may have come loose during shipment. Identify and compare all parts against the parts list.

*Congratulations on your purchase.
Rest assured only the finest materials, skilled artisans
and modern engineering were used to carefully
construct this exquisite piece.*

 **AICO®**
AMINI INNOVATION, CORP.
www.amini.com

Figure 1

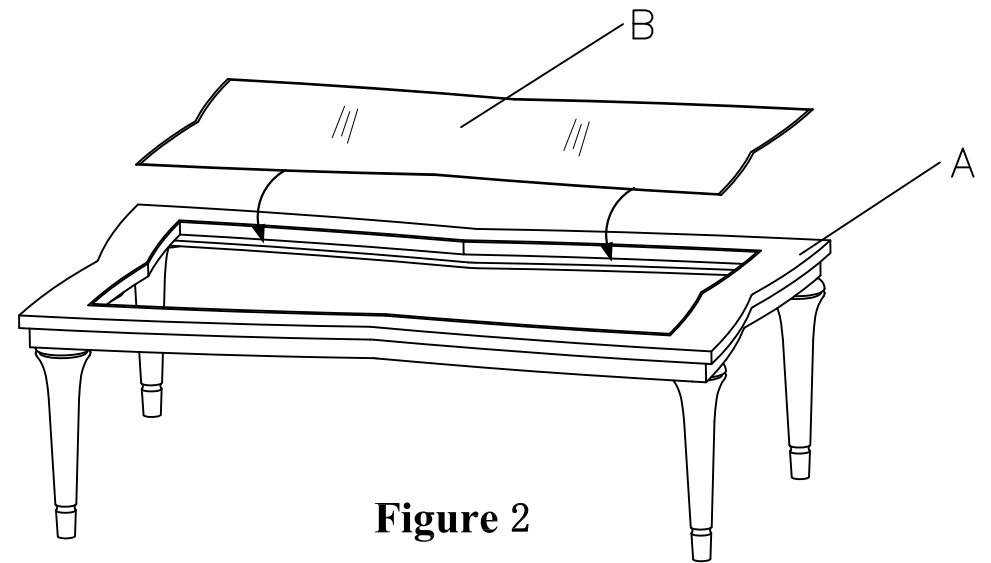
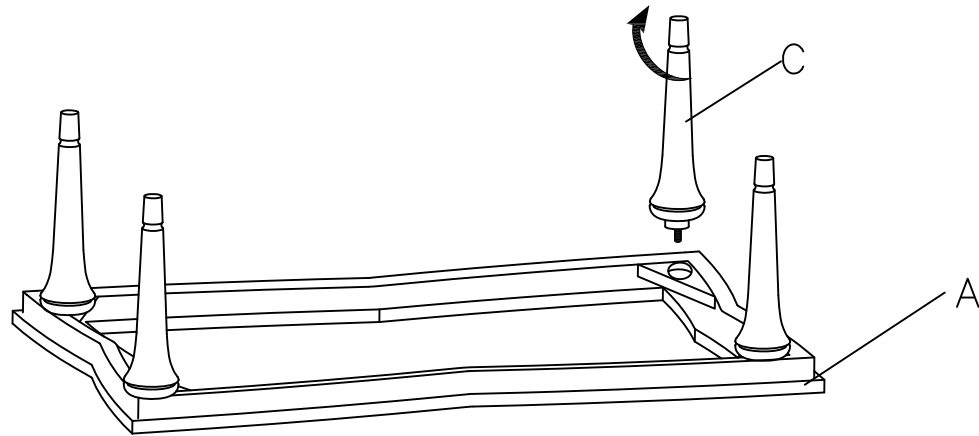


Figure 2

Instructions:

Figure 1

1. Lay down the A (Wood Top)to a smooth, soft and flat surface .
- 2.Place C(Leg) onto A(Wood Top).

Figure 2

- 1.Turn the assembled Cocktail Table to the upright position.
- 2.Place B(Inserted Glass) onto A(Wood Top).