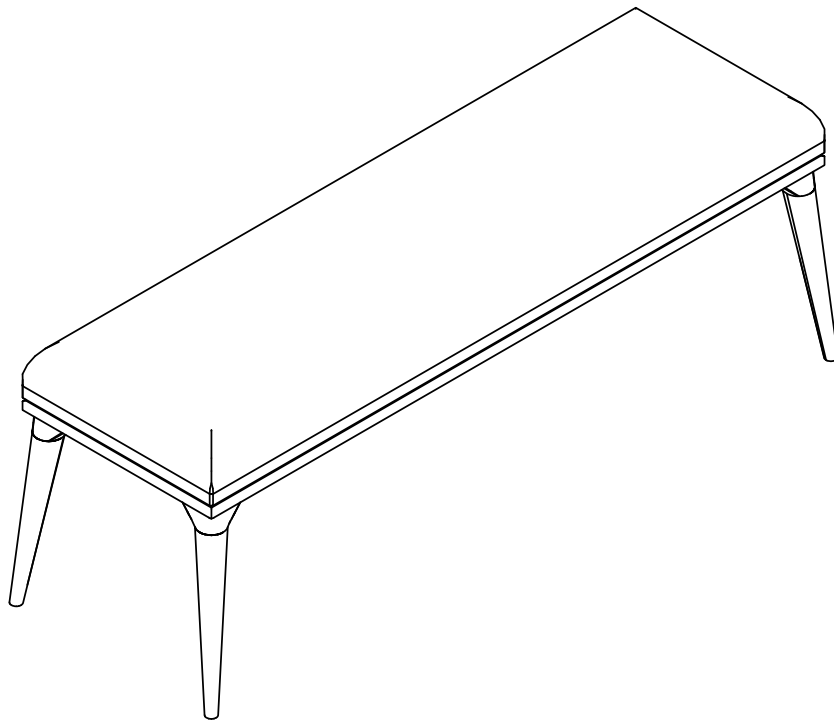


MICHAEL AMINI®

Assembly Instructions

9034904-136

LaRachelle"Bed Bench" Medium Champagne

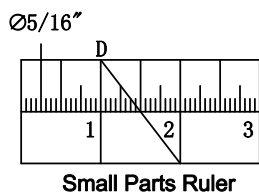
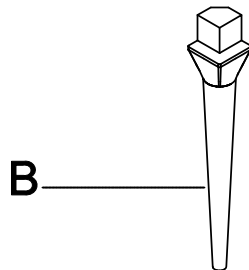
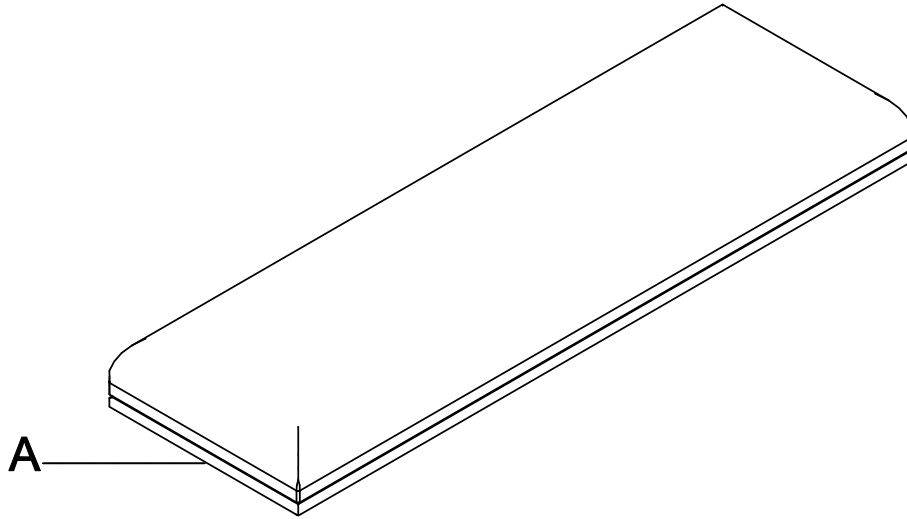


Congratulations on your purchase.

Rest assured only the finest materials, skilled artisans and modern engineering were used to carefully construct this exquisite piece.

 **AICO®**
AMINI INNOVATION, CORP.
www.amini.com

Index

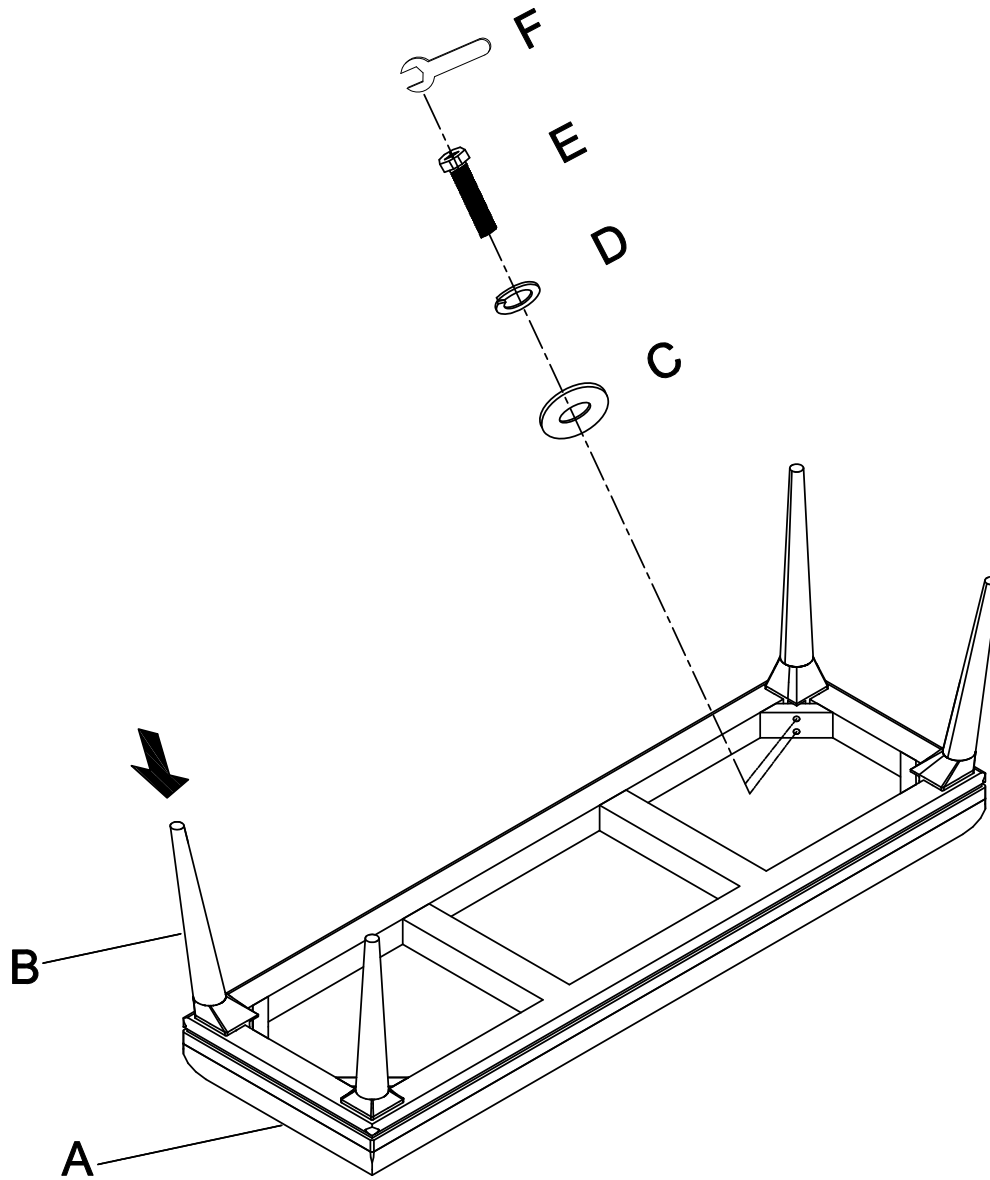


Bed Bench Parts list

| | | | |
|---|-----------------|--|---|
| A | Bed Bench Frame | | 1 |
| B | Leg | | 4 |

NOTE:Inspect all packing material for small parts, which may have come loose during shipment. Identify and compare all parts against the parts list.




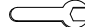
Step1



Instructions:

1. Attach B(Leg) to A(Bed Bench Frame) with E(Bolt)+ D(Spring Washer)+ C(Flat Washer) by using F(Wrench).

Assembly Hardware

| | | | | |
|---|---------------|---|------------|---|
| C | Flat Washer |  | Ø5/16**19 | 8 |
| D | Spring Washer |  | Ø5/16" | 8 |
| E | Bolt |  | Ø5/16**2"L | 8 |
| F | Wrench |  | 12mm | 1 |

Ø=diameter