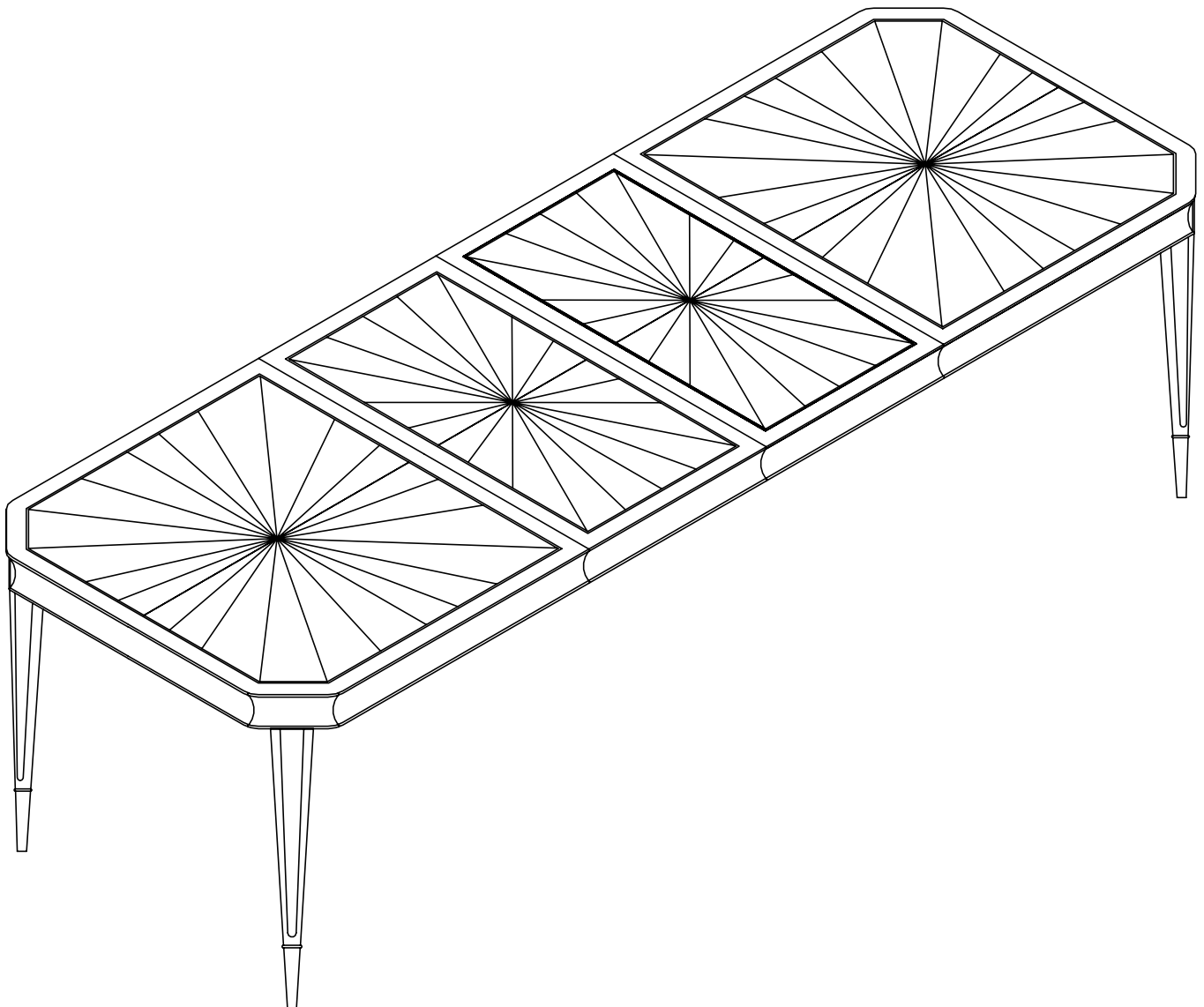


MICHAEL AMINI®

Assembly Instructions
9034000-136

La Rachele"Rect. Dining Table"Medium Champagne

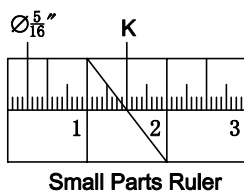
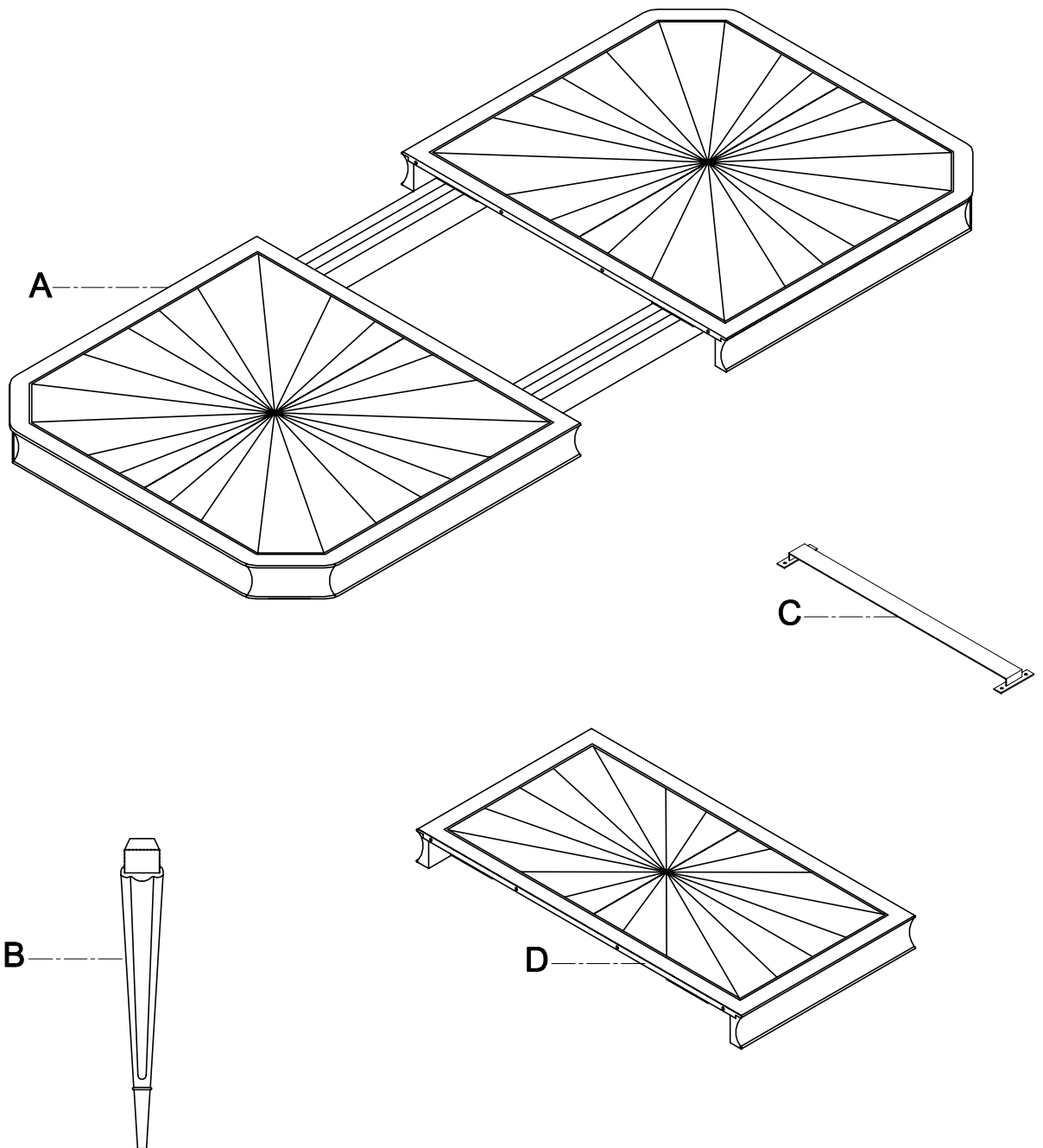


Congratulations on your purchase.

Rest assured only the finest materials, skilled artisans and modern engineering were used to carefully construct this exquisite piece.

 **AICO®**
AMINI INNOVATION, CORP.
www.amini.com

Index



Small Parts Ruler

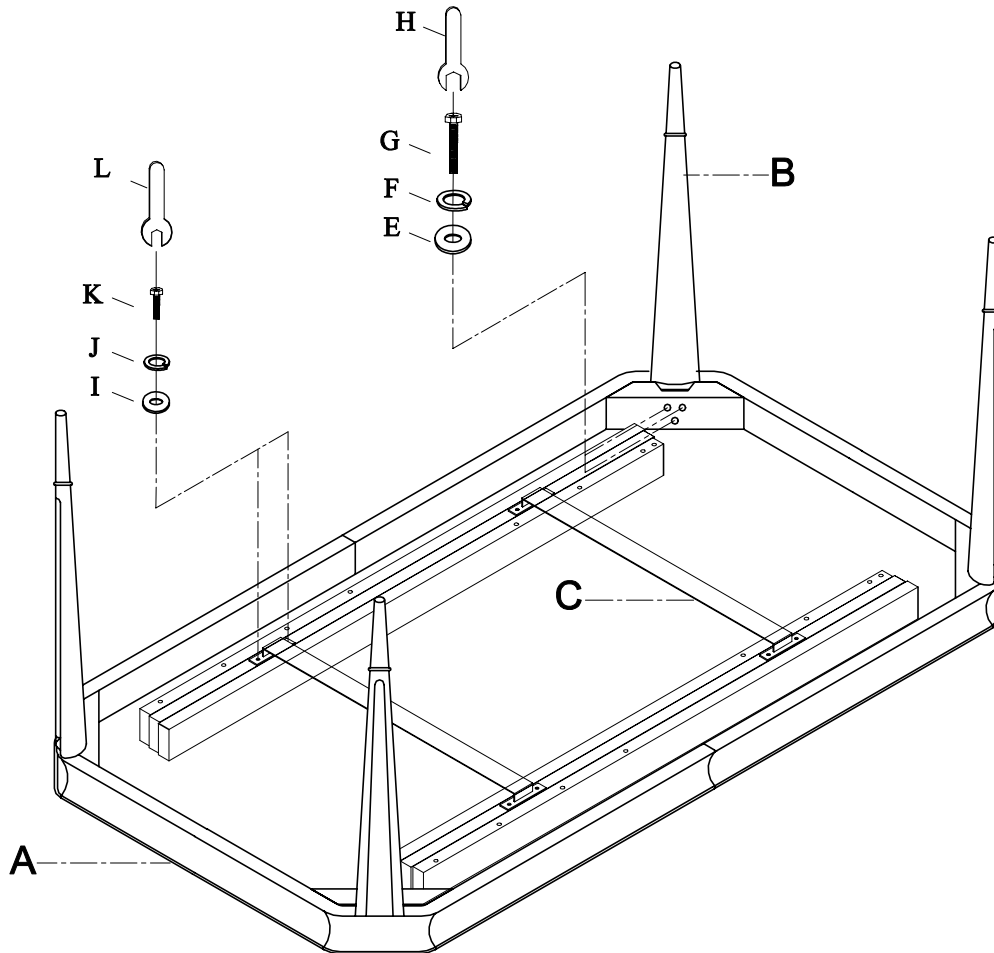
Dining Table Parts List

A	Table Top	9034000-136	1
B	Table Leg		4
C	Support metal		2
D	Table Leaf		2




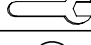


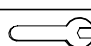
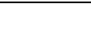
NOTE: Inspect all packing material for small parts, which may have come loose during shipment. Identify and compare all parts against the parts list.

Step1

Figure1



Assembly Hardware

E	Flat Washer		Ø5/16**19	12
F	Spring Washer		Ø5/16"	12
G	Long Bolt		Ø5/16**2"L	12
H	Wrench		12mm	1
I	Small Flat Washer		Ø1/4**16	8
J	Small Spring Washer		Ø1/4"	8
K	Short Bolt		Ø1/4**3/4"L	8
L	Small Wrench		10mm	1

Instructions:

- Upside down A(Table Top) onto floor and put B(Table Leg) aim at the hole on A.
- Secure B(Table Leg) and A(Table Top) by Inserting G(Long Bolt)+F(Spring Washer)+E(Flat Washet) onto A using H (Wrench), tight the bolt.
- Secure C(Support metal) to the sliders on A(Table Top) by Inserting K(Short Bolt)+J(Small Spring Washer)+I(Small Flat Washet)using L (Small Wrench), tight the bolt.

Ø=diameter

Step2

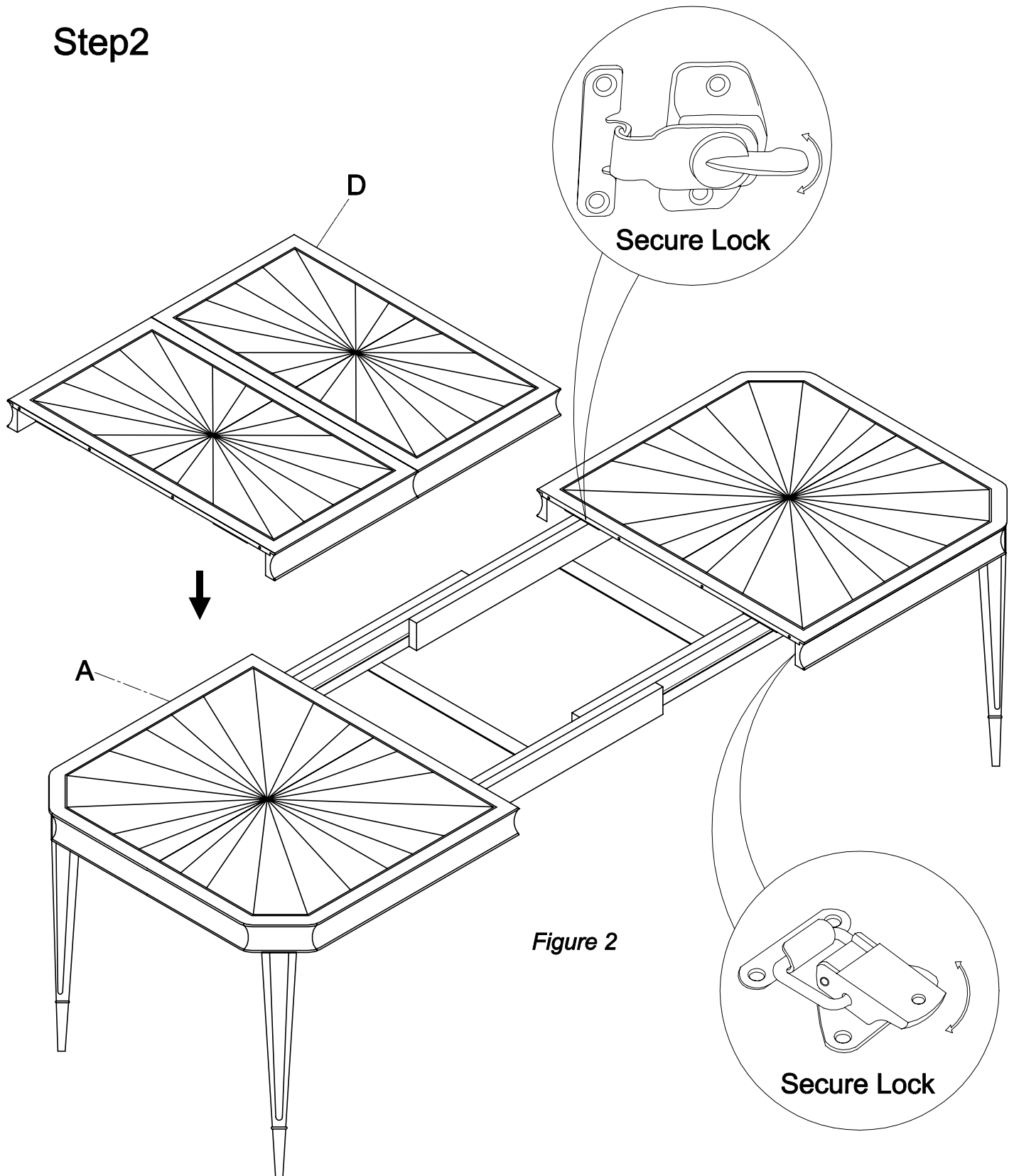


Figure 2

Instructions:

1. Open secure lock at bottom A(Table Top)
2. Open the space between A(Table Top) and put D(Table Leaf) on the table top.
3. Close secure lock after table leaf installation.