



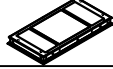





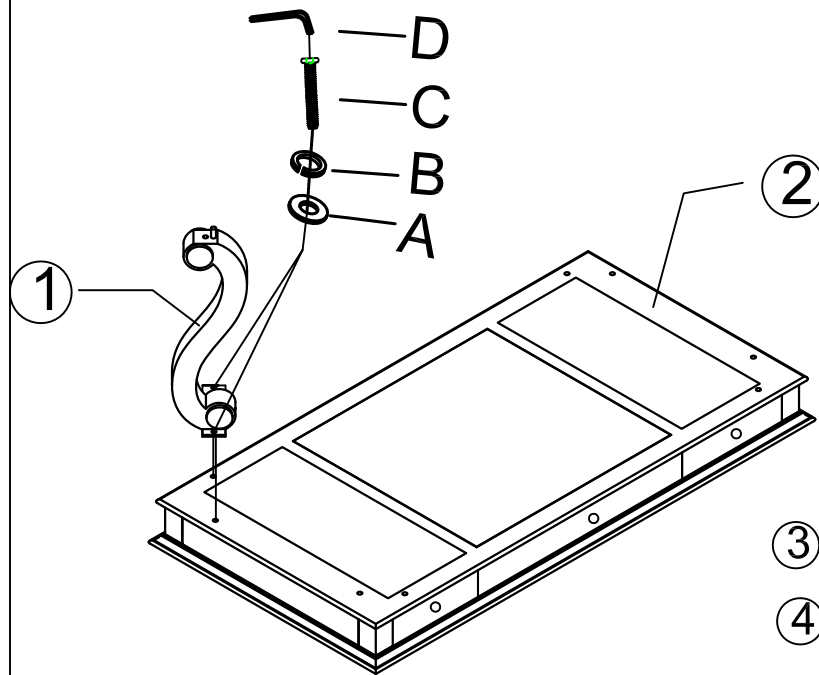


ITEM: 6005-10458-85 Writing Desk

Thank you for purchasing this quality product. Be sure to unpack carefully looking for small parts which may have come loose during shipment. Read all instruction and study the drawing carefully before starting the assembly process.

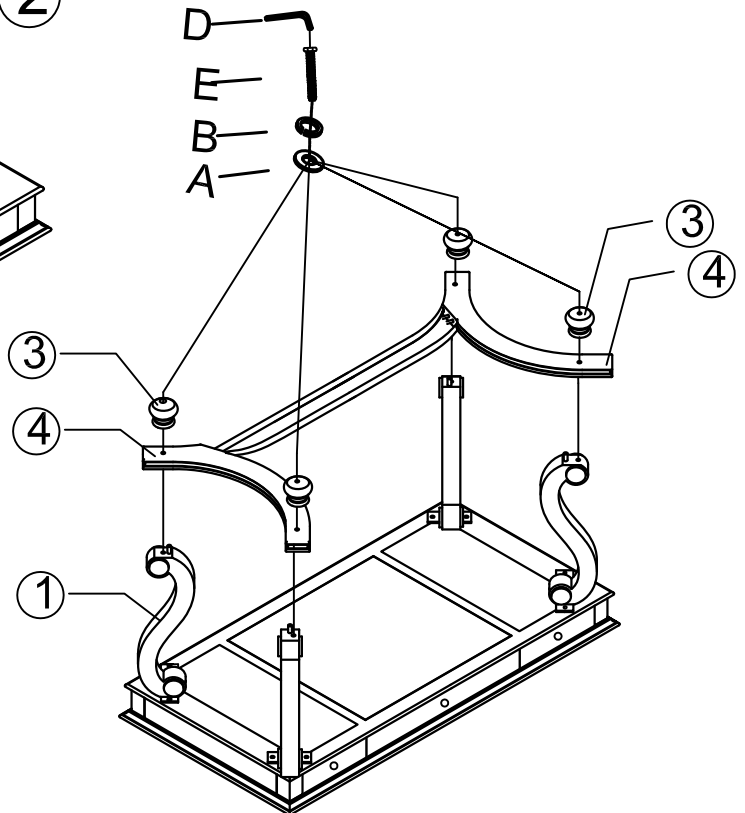
HARDWARE PACK

NO	DRAWING	DESCRIPTION	SIZE	Q'ty	PARTS LIST			
A		FLAT WASHER	ø5/16"	12pcs	NO	DRAWING	DESCRIPTION	Q'TY
B		LOCK WASHER	ø5/16"	12pcs	1		LEGS	4
C		BOLT	ø5/16"*30mm	8pcs	2		TOP	1
D		ALLEN WRENCH	73*29*5mm	1pc	3		BUN FOOT	4
E		BOLT	ø5/16"*100mm	4pcs	4		BOTTOM FRAME	1
F		Anti - Tip Kit		1pc				



Note: According No. is labeled on each leg to match top.

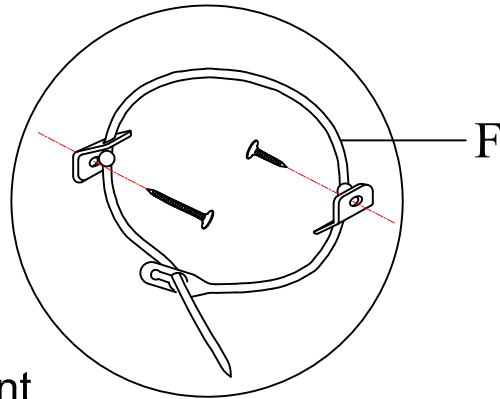
Step 1: Attach legs to top by using Allen wrench & bolt & lock washer & flat washer



Step 2: Attach bottom frame and bun feet to legs by using Allen wrench & bolt & lock washer & flat washer

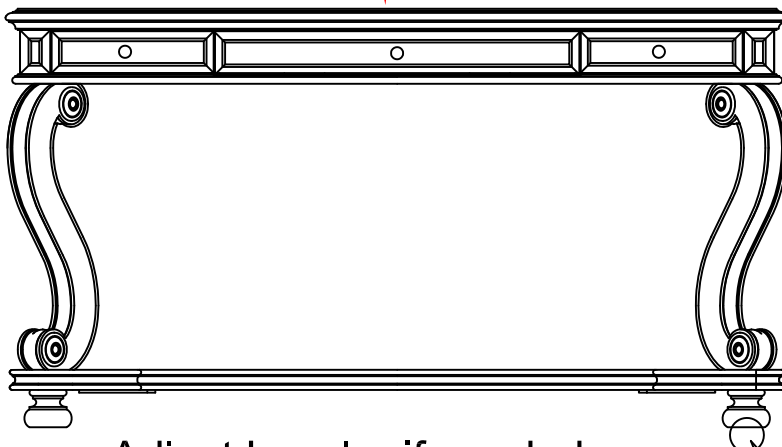
ITEM: 6005-10458-85 Writing Desk

Thank you for purchasing this quality product. Be sure to unpack carefully looking for small parts which may have come loose during shipment. Read all instruction and study the drawing carefully before starting the assembly process.



Tipping Restraint

Anti-tip kit is included for use. We recommend installing for safety reason



Adjust Leveler if needed to level table on uneven floor.

