

HOOKER[®]

— FURNITURE —

ASSEMBLY INSTRUCTION






Item#: 5805-75200T - 85 - 84in Trestle Table Top w/2-18in Leaves-Natural

5805-75200B - 95 - 84in Trestle Table Base - Gray

5805-75200T- 80 - 84in Trestle Table Top w/2-18in Leaves- Flaky White

5805-75200B -99 - 84in Trestle Table Base - Black

**** Please make sure you have all parts indicated below prior to assembly.
This table is heavy and can best be assembled with the help of two or more people.**

NO	HARDWARE LIST		Q'TY
A		FLAT WASHER	12
B		LOCK WASHER	12
C		$\frac{5}{16}$ *80MM ALLEN BOLT	8
D		ALLEN WRENCH	1
E		$\frac{5}{16}$ *50MM ALLEN BOLT	4

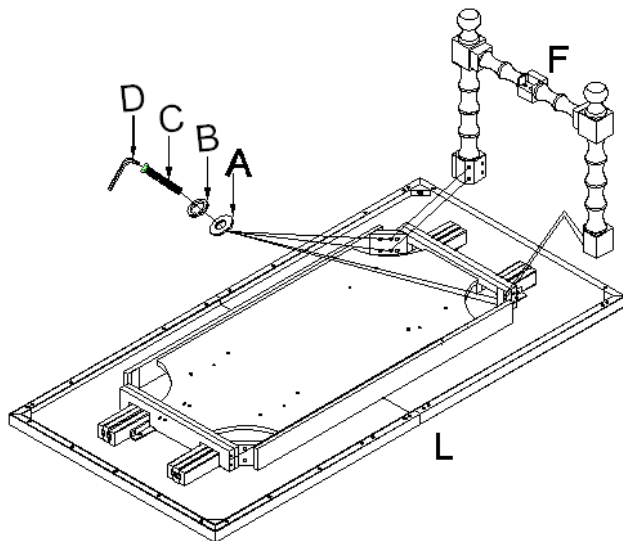
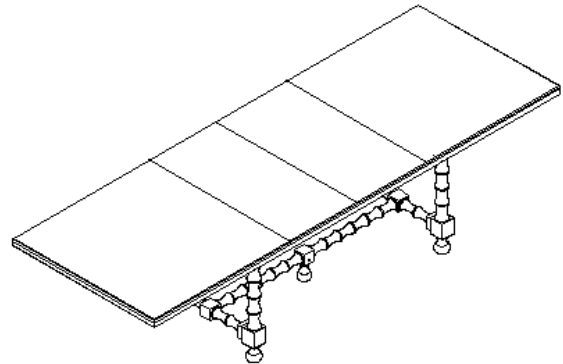


Diagram 1

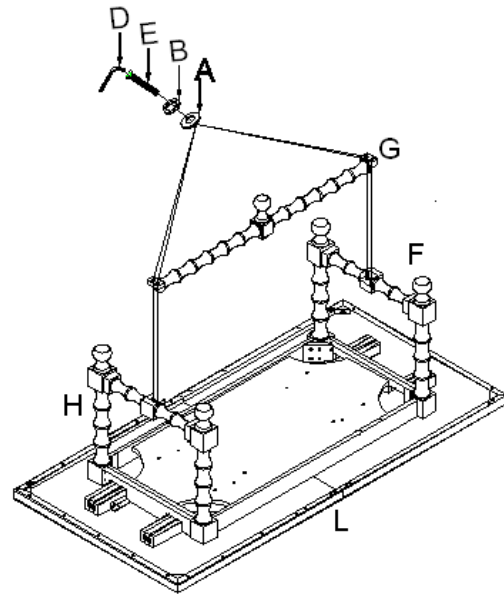


Diagram 2

Assembly steps:

1. Place table top upside down on a soft surface to prevent it from being scratched. Attach side frames (F & H) to table top (L) using bolts(C), lock washers (B), flat washers (A), by turning with allen wrench (D) in a clockwise direction (see diagram 1). Do not tighten up at this step.

2. Attach the ends of stretcher (G) to side frames (F & H) to make sure all pre-drilled holes are in alignment, well insert bolts (E), lock washers (B) and flat washers (A), tighten all bolts by turning with allen wrench (D) in clockwise direction (See Diagram 2).

3. Tighten all bolts.

4. Turn table upright.

Instruction for table leaves:

1. There are latches at the bottom of table top, turn off the latches as shown in Diagram 3.

2. Pull out table top as the arrow direction shown in Diagram 4.

3. Place table leaves between and push table tops together.

4. Turn on latches. (see Diagram 3)

5. Take opposite actions to remove table leaves.

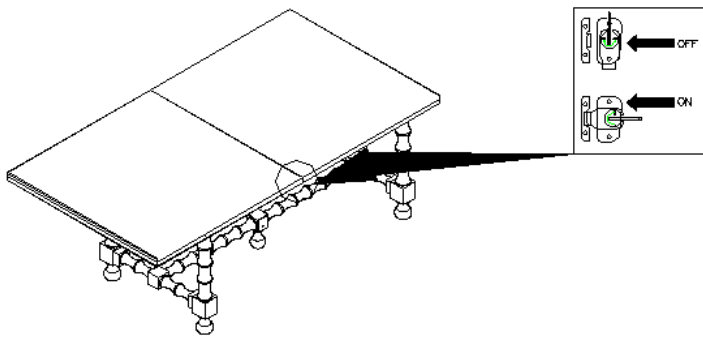


Diagram 3

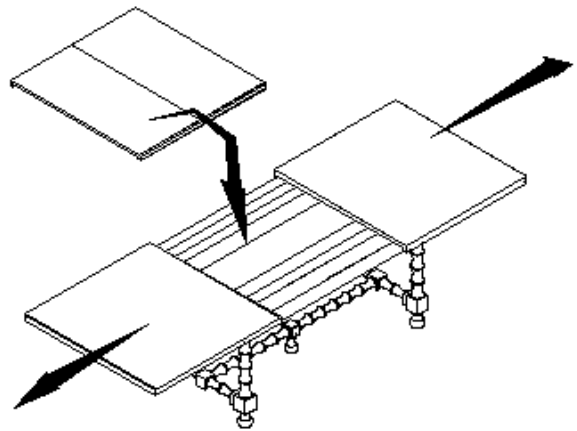


Diagram 4

Cleaning Instruction: Clean finished parts with a damp cloth using a mild dishwashing liquid and water solution. Polish the finish with soft cloth and an industry recognized furniture polish.