



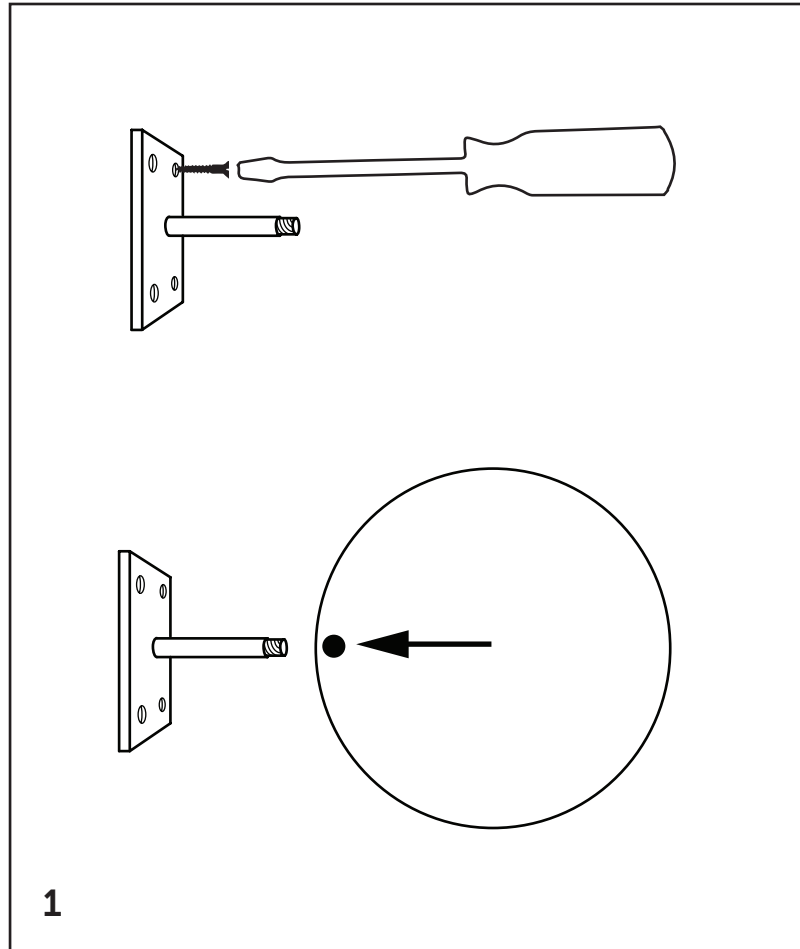
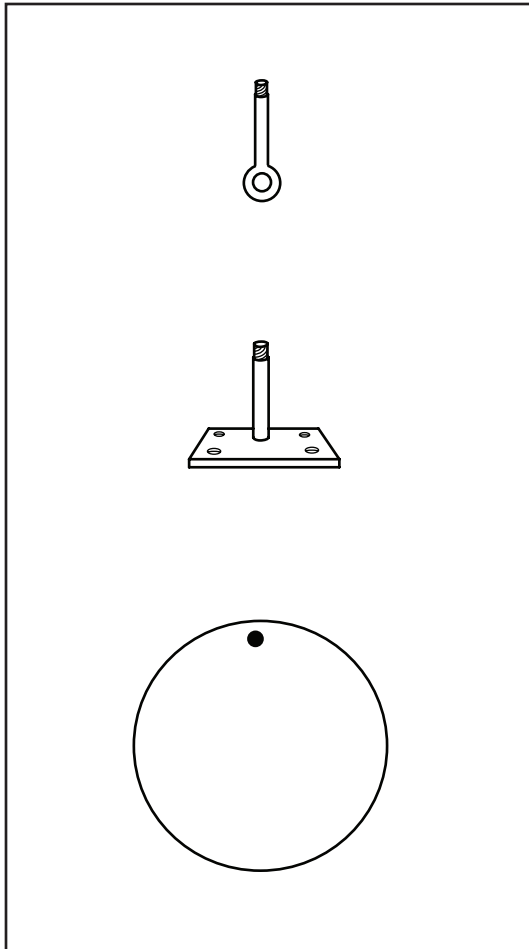
# Ball Wall Ceiling

Installation Guide

phillips   
collection  
*every piece a conversation*

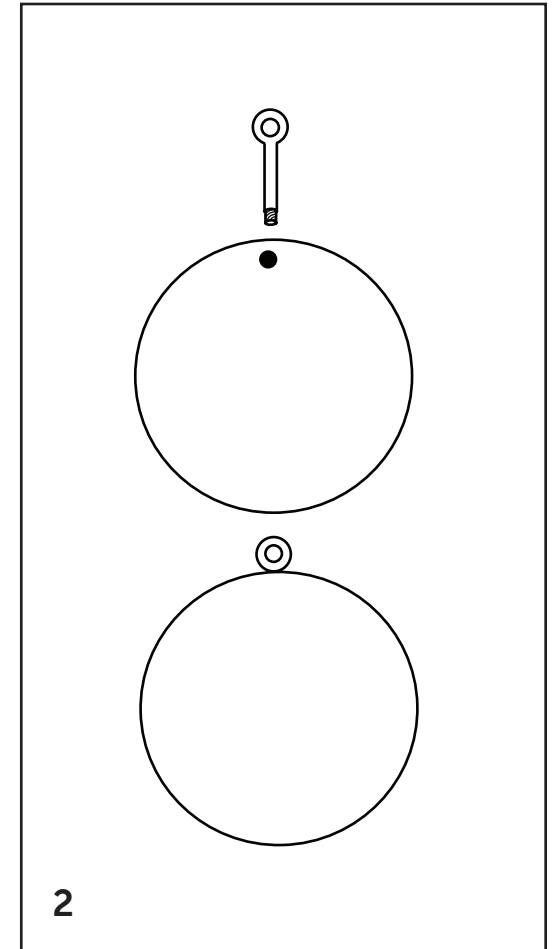
# Ball Wall Ceiling

## Wall Mounting



1 Attach the wall hanger on wall surface using screws.

Attach the ball as a wall decor by inserting it on provided wall hanger. (Turn clockwise to tighten)



2 Insert wall hanger in hole of the ball.

Turn clockwise to tighten until reach the desired end point.

(screws not included)

